

DECANTER

advanced technology • tecnologia avanzata

902S



Taurus



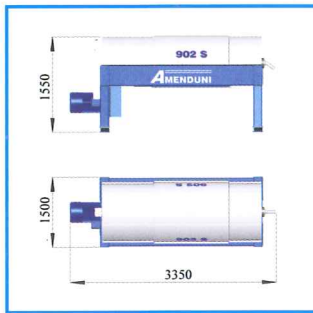
Rex



AMENDUNI
NICOLA SPA

DECANTER

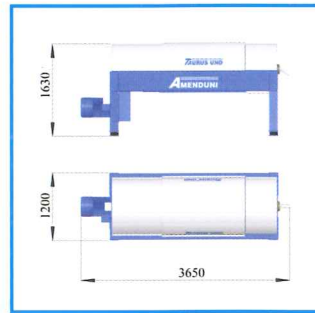
902S



902S

Motor Power	22,5 Kw
Start	Inverter
Motor Voltage	400 Volt
Frequency	50 Hz
Weight	Kg 2900

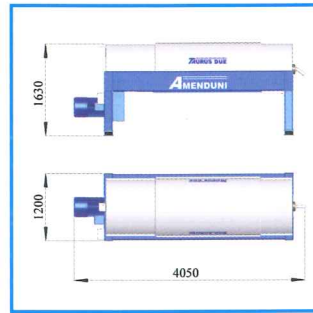
TAURUS UNO



TAURUS UNO

Motor Power	22,5 Kw
Start	Inverter
Motor Voltage	400 Volt
Frequency	50 Hz
Weight	Kg 3250

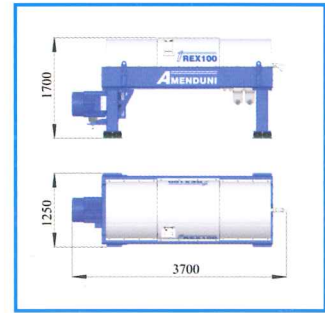
TAURUS DUE



TAURUS DUE

Motor Power	30 Kw
Start	Inverter
Motor Voltage	400 Volt
Frequency	50 Hz
Weight	Kg 3600

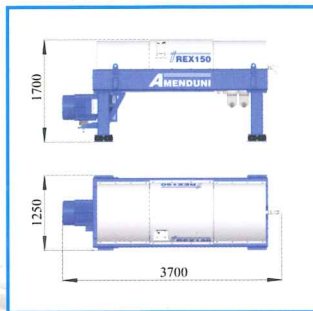
REX 100



REX 100

Motor Power	30 Kw
Start	Inverter
Motor Voltage	400 Volt
Frequency	50 Hz
Weight	Kg 3500

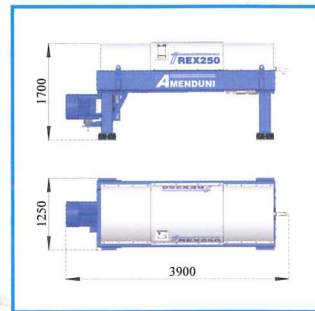
REX 150



REX 150

Motor Power	37 Kw
Start	Inverter
Motor Voltage	400 Volt
Frequency	50 Hz
Weight	Kg 3500

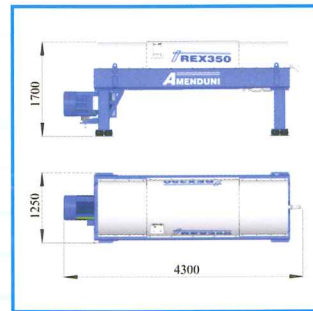
REX 250



REX 250

Motor Power	37 / 45 Kw
Start	Inverter
Motor Voltage	400 Volt
Frequency	50 Hz
Weight	Kg 3800

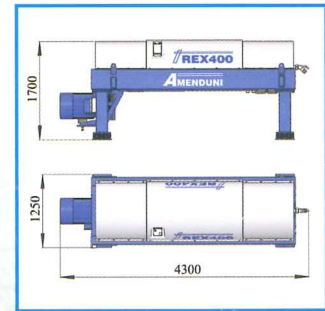
REX 350



REX 350

Motor Power	45 Kw
Start	Inverter
Motor Voltage	400 Volt
Frequency	50 Hz
Weight	Kg 4200

REX 400



REX 400

Motor Power	55 Kw
Start	Inverter
Motor Voltage	400 Volt
Frequency	50 Hz
Weight	Kg 4400



L'azienda segue un programma continuo di ricerca e sviluppo, quindi, si riserva il diritto di apportare modifiche senza preavviso. The company follows a policy of continuous research and development, so it reserves the right to make modification without previous notice.

**AMENDUNI
NICOLA SPA**

Via delle Mimose, 3 z.i. • 70026 Modugno (Ba) • Italia
Tel. +39 080.5314910 • Fax +39 080.5314920
info@amenduni.it • export@amenduni.it • www.amenduni.it